

SPECIAL TOOLS

GENERAL INFORMATION	ST- 2
ENGINE.....	ST- 3
CLUTCH AND MANUAL TRANSAXLE.....	ST- 4
AUTOMATIC TRANSAXLE.....	ST- 5
STEERING	ST- 6
BRAKE.....	ST- 7
FRONT AND REAR AXLE.....	ST- 7
SUSPENSION.....	ST- 8
HEATER AND AIR CONDITIONER SYSTEMS	ST- 9
CHECKER AND OTHERS.....	ST- 9

06USTX-001

GENERAL INFORMATION

The letters "A" and "B" in the Priority column indicate the degree of importance of each tool.

A.....Indispensable

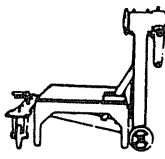
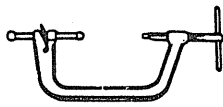
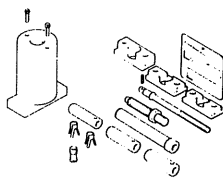
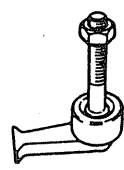
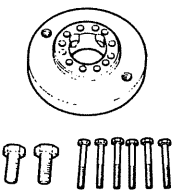
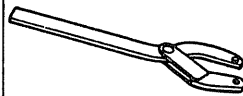
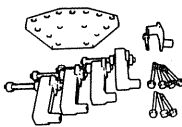
The tools ranked "A" in this list are indispensable for performing operations satisfactorily, easily, safely and efficiently. It would, therefore, be advisable for all service shops to have these tools.

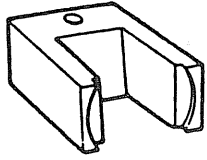
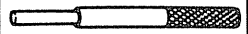

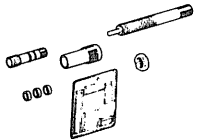
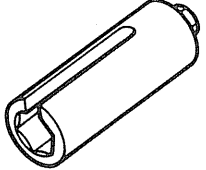
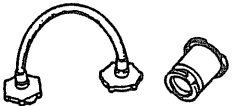
B.....Selective

The tools in this list are not as necessary as tools ranked A, but all service shops should have these tools if possible in order to easily perform operations for efficient repair operations.

86U40X-002

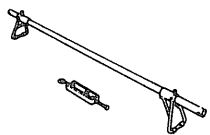
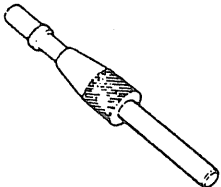
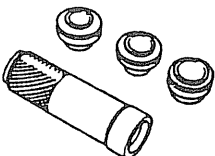
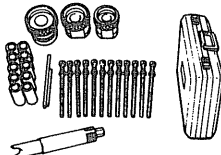

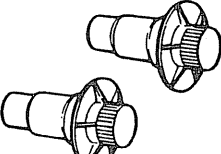
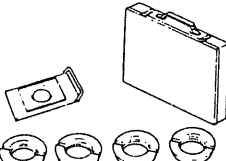
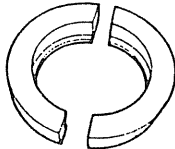
ENGINE

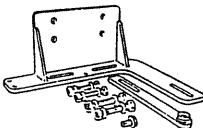
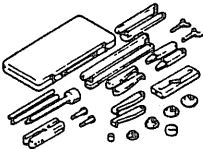
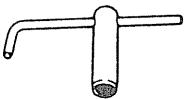
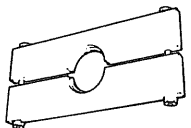
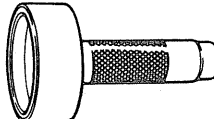
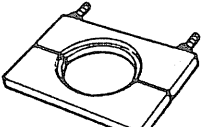
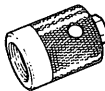
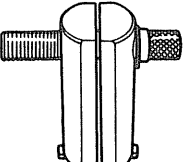
TOOL NUMBER & DESCRIPTION	PRIORITY	ILLUSTRATION
49 0107 680A Engine stand	A	
49 0636 100A Arm, valve spring lifter	A	
49 L011 0A0 Tool set, piston pin setting	A	
49 E301 060 Brake, ring gear	A	
49 H011 101A Lock tool, crankshaft	A	
49 S120 710 Holder, coupling flange	A	
49 L010 1A0 Hanger set, engine stand	A	

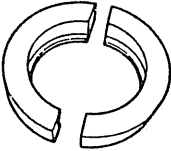
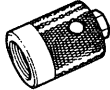

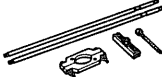
TOOL NUMBER & DESCRIPTION	PRIORITY	ILLUSTRATION
49 G030 222 Pivot	A	
49 0249 010A Remover & installer, valve guide	A	
49 1285 071 Puller, bearing	A	
49 L012 0A0 Installer set, valve seal & valve guide	A	
49 H018 001 Wrench, knock sensor (Turbo)	A	
49 9200 145 Adapter set, radiator cap tester	A	
—	—	—

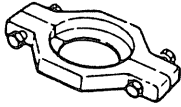
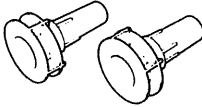
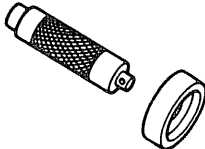
ST

CLUTCH AND MANUAL TRANSAXLE

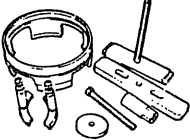
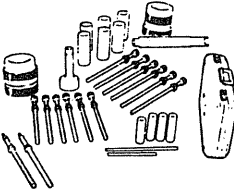
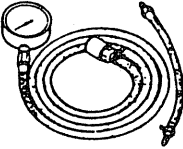
TOOL NUMBER & DESCRIPTION	PRIORITY	ILLUSTRATION
49 G017 5A0 Engine support	A	
49 SE01 310 Centering tool, clutch disc	A	
49 F401 330B Installer set, bearing	A	
49 G030 380C Shim selector set	A	
49 G027 001 Selector $\phi 75$ (H-type transaxle)	A	
49 G030 455 Holder, diff. side gear (G-type transaxle)	A	
49 G017 1A0 Remover set, bearing	A	
49 G017 101 Attachment N (H-type transaxle)	A	

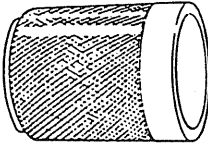
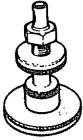
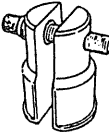
TOOL NUMBER & DESCRIPTION	PRIORITY	ILLUSTRATION
49 G019 0A0 Hanger, transaxle	A	
49 0839 425C Puller set, bearing	A	
49 G030 440 Holder, primary shaft (G-type transaxle)	A	
49 G027 002 Removing plate (H-type transaxle)	A	
49 B001 795 Installer, oil seal	A	
49 G030 370 Removing plate	A	
49 B017 102 Preload adapter	A	
49 FT01 361 Remover, bearing	A	

TOOL NUMBER & DESCRIPTION	PRIORITY	ILLUSTRATION
49 G017 203 Attachment P (H-type transaxle)	A	
49 G017 202 Preload adapter	A	
49 G030 338 Attachment E	A	
49 0187 520 Puller, rear axle shaft bearing (H-type transaxle)	A	

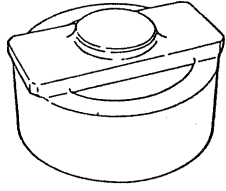
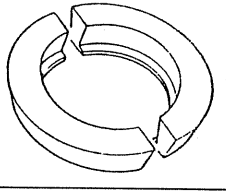
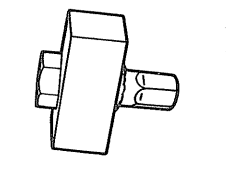
TOOL NUMBER & DESCRIPTION	PRIORITY	ILLUSTRATION
49 0636 145 Puller, fan pulley boss	A	
49 G027 003 Holder, diff. side gear (H-type transaxle)	A	
49 G030 795 Installer, oil seal	A	
—	—	—

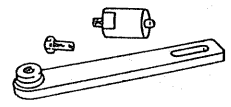
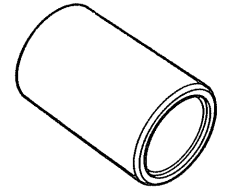
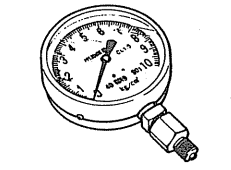
AUTOMATIC TRANSAXLE

TOOL NUMBER & DESCRIPTION	PRIORITY	ILLUSTRATION
49 G019 0A7A Compressor set, return spring	A	
49 G019 0A5A Shim selector set	A	
49 0378 400A Gauge set, oil pressure	A	

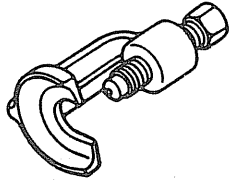
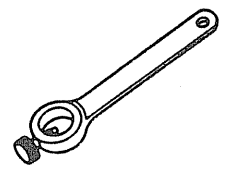
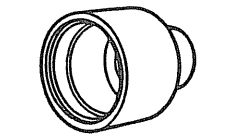
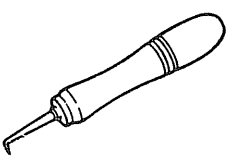
TOOL NUMBER & DESCRIPTION	PRIORITY	ILLUSTRATION
49 G019 011 Installer, bearing	A	
49 G019 012 Leak checker	A	
49 G019 013 Remover, bearing	A	

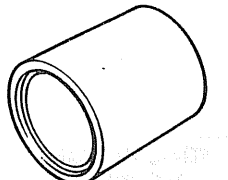
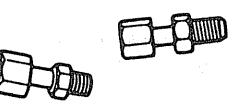
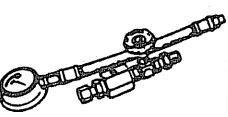
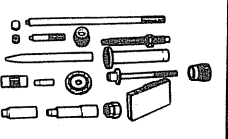
ST

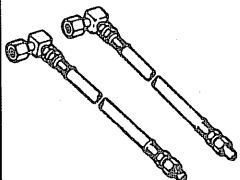
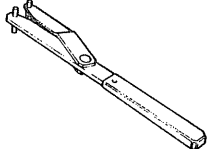
TOOL NUMBER & DESCRIPTION	PRIORITY	ILLUSTRATION
49 G019 017 Installer, oil seal	A	
49 G019 022 Attachment K	A	
49 FT01 439 Holder, idle gear shaft	A	

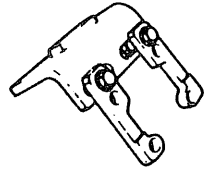
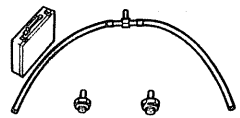
TOOL NUMBER & DESCRIPTION	PRIORITY	ILLUSTRATION
49 G019 0A2 Holder, turbine shaft	A	
49 S120 785 Installer, dust boot	A	
49 B019 901 Gauge, oil pressure	A	

STEERING

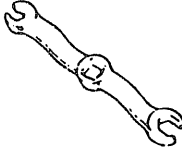

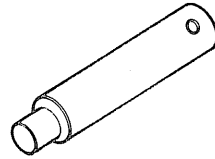
TOOL NUMBER & DESCRIPTION	PRIORITY	ILLUSTRATION
49 0118 850C Puller, ball joint	B	
49 0180 510B Attachment, preload	B	
49 1243 785 Installer, dust boot	A	
49 0208 701A Air out tool, boot	B	

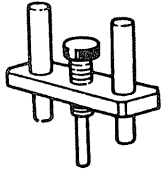
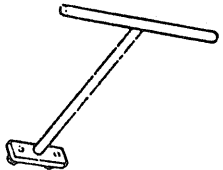
TOOL NUMBER & DESCRIPTION	PRIORITY	ILLUSTRATION
49 F034 201 Installer, dust boot	A	
49 B032 302 Adapter	A	
49 1232 670A Gauge set, power steering	A	
49 G032 3A0 Repair set, power steering	A	

TOOL NUMBER & DESCRIPTION	PRIORITY	ILLUSTRATION
49 H002 671 Adapter	A	
49 W023 585A Adjust wrench	A	

TOOL NUMBER & DESCRIPTION	PRIORITY	ILLUSTRATION
49 F032 301 Hanger, power steering pump	A	
49 G032 3A1 Joint hose set	A	

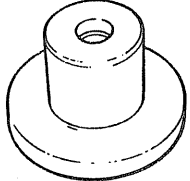
BRAKE

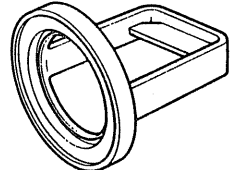
TOOL NUMBER & DESCRIPTION	PRIORITY	ILLUSTRATION
49 0259 770B Wrench, flare nut	A	
49 0221 600C Expand tool, disc brake	B	
49 B043 002 Installer, bearing	A	

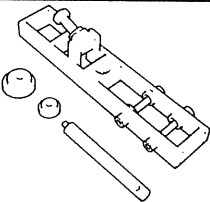
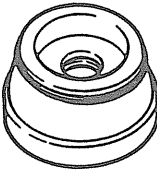
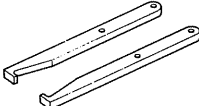
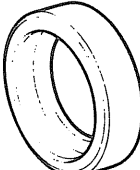
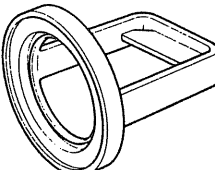
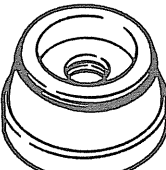
TOOL NUMBER & DESCRIPTION	PRIORITY	ILLUSTRATION
49 F043 001 Adjust gauge	A	
49 FA18 602 Wrench, disc brake piston	B	
—	—	—

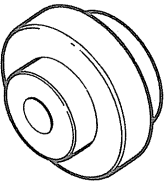
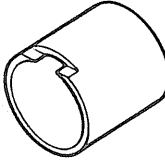
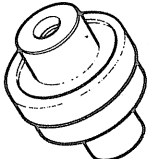
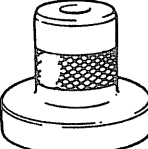
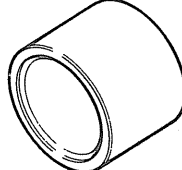
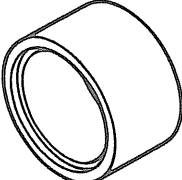
ST

FRONT AND REAR AXLE

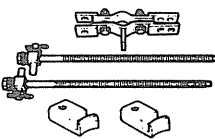
TOOL NUMBER & DESCRIPTION	PRIORITY	ILLUSTRATION
49 F026 102 Installer, bearing	A	

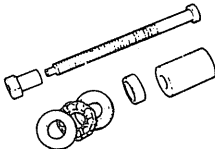
TOOL NUMBER & DESCRIPTION	PRIORITY	ILLUSTRATION
49 H026 101A Installer, sensor rotor (ABS)	A	

TOOL NUMBER & DESCRIPTION	PRIORITY	ILLUSTRATION
49 G033 1A1 Puller, wheel hub	A	
49 F027 007 Attachment $\phi 72$	A	
49 H017 101 Hook	A	
49 G033 107 Installer, dust cover	A	
49 G025 001 Installer, sensor rotor (ABS)	A	
49 F027 005 Attachment $\phi 62$	A	

TOOL NUMBER & DESCRIPTION	PRIORITY	ILLUSTRATION
49 G026 101 Replacer, bearing	A	
49 H034 201 Support block	A	
49 G026 102 Replacer, bearing	A	
49 V001 795 Installer, oil seal	A	
49 G026 103 Support block	A	
49 H026 103 Support block	A	

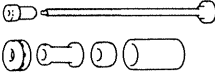
SUSPENSION

TOOL NUMBER & DESCRIPTION	PRIORITY	ILLUSTRATION
49 G034 1A0 Compressor, coil spring	A	

TOOL NUMBER & DESCRIPTION	PRIORITY	ILLUSTRATION
49 U034 2A0 Replacer, rubber bush	A	

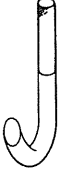
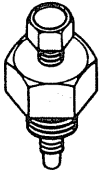
SPECIAL TOOLS

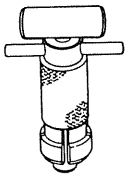
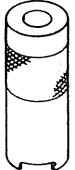
ST

TOOL NUMBER & DESCRIPTION	PRIORITY	ILLUSTRATION
49 G034 2A0 Replacer, lower arm bush	A	


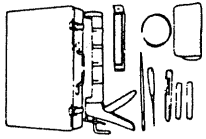
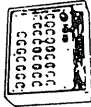
TOOL NUMBER & DESCRIPTION	PRIORITY	ILLUSTRATION
—	—	—

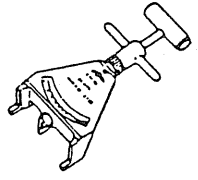
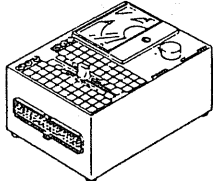
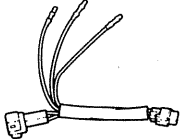
HEATER AND AIR CONDITIONING SYSTEM

TOOL NUMBER & DESCRIPTION	PRIORITY	ILLUSTRATION
49 9202 010 Holder bar, pressure plate	A	
49 9202 020 Remover, pressure plate	A	

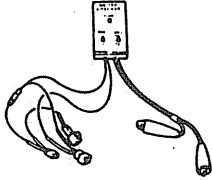
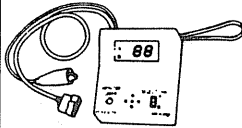
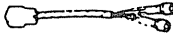
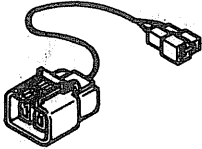
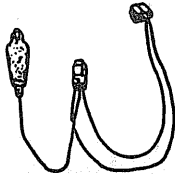
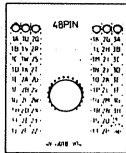


TOOL NUMBER & DESCRIPTION	PRIORITY	ILLUSTRATION
49 9202 030 Remover, seal plate	A	
49 9202 040 Remover, shaft seal	A	

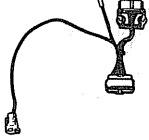
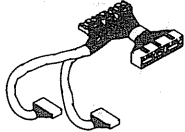
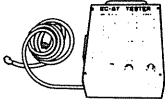
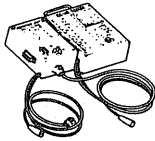

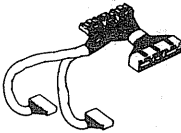
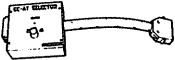

CHECKER AND OTHERS

TOOL NUMBER & DESCRIPTION	PRIORITY	ILLUSTRATION
49 0187 280 Gauge, oil pressure	B	
49 0305 870A Tool set, window	A	
49 0839 285 Checker, fuel & thermo meter	A	

TOOL NUMBER & DESCRIPTION	PRIORITY	ILLUSTRATION
49 9200 020 Gauge, V-ribbed belt tension	B	
49 9200 162 Monitor, engine signal	A	
49 G018 901 Adapter harness	A	


ST

TOOL NUMBER & DESCRIPTION	PRIORITY	ILLUSTRATION
49 F018 002 Igniter checker	A	
49 H018 9A1 Self-diagnosis checker	A	
49 F018 001 Checker lamp	A	
49 G018 001 Adapter harness	A	
49 U018 003 Adapter harness	A	
49 G018 904 Sheet	A	
49 G019 912 Panel (F2 non-turbo)	A	
49 G019 913 Panel (F2 non-turbo)	A	

TOOL NUMBER & DESCRIPTION	PRIORITY	ILLUSTRATION
49 H018 910 Adapter harness	A	
49 G018 903 Adapter harness	A	
49 G019 901A EC-AT tester	A	
49 G019 901 EC-AT tester	A	
49 H019 902 Adapter unit	A	
49 F019 901 Harness (F2 turbo)	A	
49 G019 918 Harness (F2 non-turbo)	A	
49 B019 9A1 EC-AT Selector	A	
49 G019 915 Panel (F2 turbo)	A	

SPECIAL TOOLS

ST

TOOL NUMBER & DESCRIPTION	PRIORITY	ILLUSTRATION
49 G019 916 Panel (F2 turbo)	A	

TOOL NUMBER & DESCRIPTION	PRIORITY	ILLUSTRATION
—	—	—